



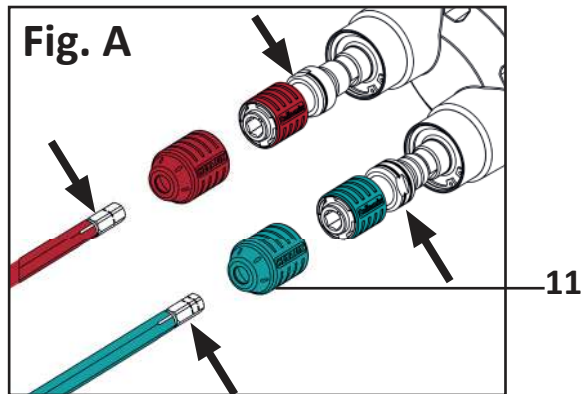
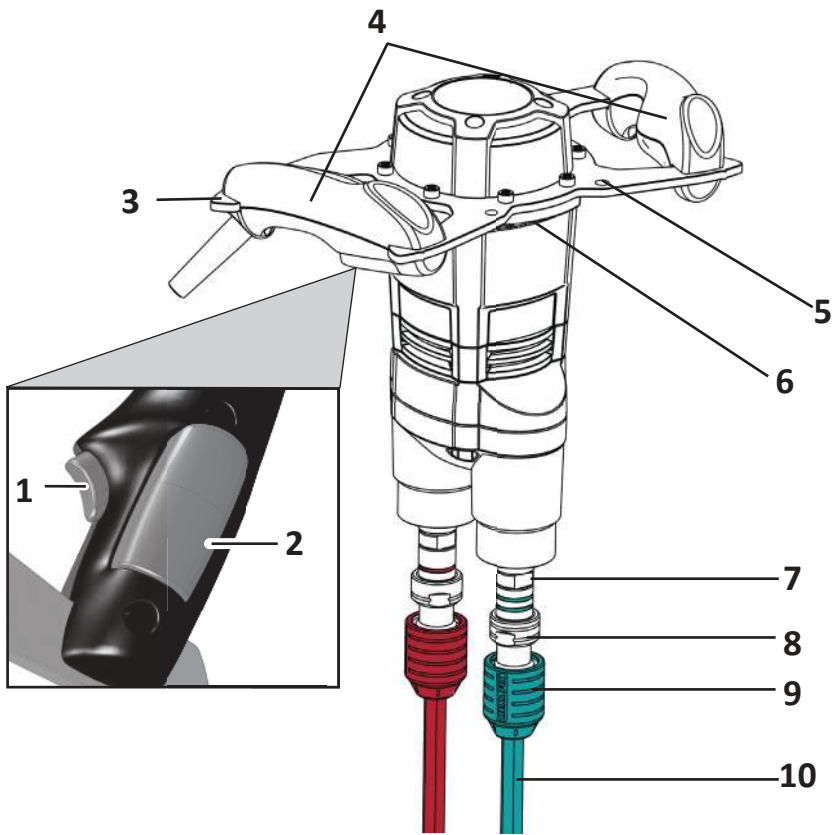
# ***Xo 55 R duo***

**Original Operating Instructions  
Electronic Hand-Mixer double-spindle**

**Manuel d'instructions d'origine  
Mélangeur électroportatif double-turbine**

**120 volts - US/CDN-version**


 **Collomix**



## Technical data

Rated power/Current consumption:  
Power supply:  
Frequency:  
No-load speed, first gear  
Rpm under load, first gear  
Mixing tool:  
Weight w/o mixing tool:  
Protection class:

## Xo 55 R duo

1450 W / 13.4 amps  
120 V  
60 Hz  
- 640 min<sup>-1</sup>  
- 430 min<sup>-1</sup>  
MKD 140 HF  
6,9 kg / 15.2 lbs  
 / II

### WARNING:

The measured values which are provided apply to new machines. Noise and vibration levels change with day-to-day use.

### NOTE

The vibration level given in these instructions was measured in accordance with a standardized method of measurement as defined in EN 60745 and can be used for the purposes of comparing electrical tools with each other. It is also suitable for a preliminary estimation of vibration strain. The vibration level which is given represents vibration level for the primary use of the electrical tool. If, however, the electrical tool is used for any other purposes, with different plug-in tools or with insufficient maintenance, the vibration level may vary. This can result in a significantly higher level of vibration strain over the work period as a whole.

For a precise estimation of the vibration strain the times when the machine is switched off have to be taken into account as well, as do the times when it is running but is not actually being used. This can result in a significantly reduced level of vibration strain over the work period as a whole.

## CE Declaration of Conformity

We declare, with sole responsibility, that this product complies with the following standards or normative products: EN 55014, EN 61000, EN 60745-1:2009 + EN60745-2-1:2010 in accordance with the provisions of directives 2004/108/EC, 2006/42 EC, 2011/65/EU



Gaimersheim, 2018-12-04  
Alexander Essing  
Managing Director

### Technical documentation can be requested from:

Collomix GmbH  
Abt. Technische Entwicklung  
Daimlerstr. 9, 85080 Gaimersheim, Germany

## Machine components

- 1 Release button for ON/OFF switch
- 2 ON/OFF switch
- 3 Handle frame with rubber buffer
- 4 Handle
- 5 Holes for machine mounting
- 6 Ventilation slits
- 7 Mixing shaft
- 8 Mixing shaft marking
- 9 HEXAFIX coupling
- 10 Mixing tool
- 11 Protective caps

## Noise/vibration levels

Measured values determined in accordance with EN 60745. The A-weighted noise level of the machine is typically:

	Sound pressure level $L_{pA}$ [dB(A)]	Sound power level $L_{WA}$ [dB(A)]
Xo 55 R duo	88 dB(a)	99 dB(A)
	Uncertainty K = 3 dB	

Overall vibration level (for mixing of mineral materials)

	Emission level $a_n$ [m/s <sup>2</sup> ]
Xo 55 R duo	1,3 m/s <sup>2</sup>
	Uncertainty K = 1,5 m/s <sup>2</sup>

## Machine-specific safety instructions

**⚠ WARNING:** Read all notes and instructions on safety. Failure to observe any of the notes and instructions on safety may result in an electric shock, fire and/or serious injury.

Make sure that you keep all notes and instructions on safety for future reference.

To be able to use the machine safely it is essential that you read the operating instructions and the safety instructions thoroughly and comply with all of them. The machine is to be used only by persons who have read the operating instructions and who are acquainted with the occupational safety and accident prevention regulations in force in your country.

**⚠** In addition, you must also comply with the general safety instructions also included with the machine.

- ▶ Take care to ensure that the mains power supply corresponds to the specifications on the rating plate.
- ▶ Do not use the device in any environments with potentially explosive atmospheres. Do not mix any readily flammable solvents or solvent-containing substances with a flash point of below 21°C/69°F.
- ▶ Take care to ensure that no liquid splashes against the motor housing and keep it away from the rain – risk of electric shock!
- ▶ Never clean the machine with water – risk of electric shock!
- ▶ Do not wind cables or leads around any parts of your body.
- ▶ Do not use the machine with a damaged cable. Do not touch the cable and pull out the power plug immediately. There is an increased risk of electric shock from damaged cables. If the mains power cable has to be replaced (because of damage or similar), ensure that it is replaced by the manufacturer or an authorized representative of the manufacturer (electrician) in order to avoid any risk to safety.
- ▶ Always hold the machine firmly with both hands when carrying out your work and make sure you have a secure footing.
- ▶ Hold the machine by the insulated grip surfaces, when performing an operation where the plug-in tool may contact hidden wiring or it's own cord. Plug-in tools contacting a "live" wire may make exposed metal parts of the power tool "live" and could give the operator an electric shock.
- ▶ Before starting up, check that the mixing rod is securely attached and rotates without a hitch.
- ▶ Start up and run down the machine in the mixing container only. Ensure that the mixing container is stood in a firm and secure position.
- ▶ Only operate the machine and the mixing tool in

perfect condition. Do not use damaged, bent or worn paddles.

- ▶ Do not reach into the mixing container with your hands or insert any other objects into it while mixing is in progress. Risk of crushing!
- ▶ Wait until the machine or tool comes to a complete standstill. Rotating tools can snag and cause injuries or damage.
- ▶ If the sound pressure level should exceed 85 dB (A) where you are working, use ear protection!
- ▶ We recommend that you wear work gloves and protective goggles when using the mixer. Regulations require that you wear close-fitting clothing.
- ▶ To protect yourself from harmful dust while mixing, wear a dust mask. Some mineral materials are deemed to be carcinogenic. Use a dust extractor wherever possible. To select suitable dust extraction systems or dust masks please refer to the information of the material manufacturer's.
- ▶ Always connect machines via a residual current device (RCD) with a rated residual current of 30 mA or less.

## CALIFORNIA - PROPOSITION 65 WARNING

Grinding/cutting/drilling and other construction activities contains chemicals know the State of California to cause cancer, birth defects and other reproductive harm. Some examples of these chemicals are:

- Lead from lead-based paints.
- Crystalline silica from bricks.
- Cement and other masonry products.
- Arsenic and chromium from chemically treated lumber.

Your risk from these exposures varies, depending on how often you do this type of work. To reduce your exposure to these chemicals: ALWAYS work in a well ventilated area, and work with approved safety equipment, such as dust masks that are specially designed to filter out microscopic particles, or use an appropriate dust extraction system with micro part filter linked to the machine, to filter out microscopic particles.



Read and observe the operating instructions for the machine before you start it up!



Always wear protective goggles and ear protection while working.



It is advisable to wear a dust mask whenever working with materials which generate large amounts of dust.



Always wear protective gloves while working.



Wear safety shoes with steel caps during operation

To release or change the mixing tools, simply pull back the handle-collar on the coupling and this releases the mixing tool.

Switching the mixing tools over allows the mixing action to be reversed. This can be an advantage for liquid materials. Please note, however: This places greater strain on the drive unit. The supplied protective caps are designed to prevent the HEXAFIX coupling getting dirty and help contribute to trouble-free operation.

## Operation

► Check that the power supply shown on the rating plate is the same as the mains power supply.

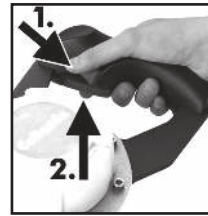
Always hold the machine with both hands.



Press the starting lockout button (1).

Press the ON/OFF switch (2).

The more pressure you apply to the ON/OFF switch, the faster the machine will run. **The ON/OFF switch cannot be locked!**



Always work with the ON/OFF switch fully pressed.

**To stop working, release the ON/OFF switch.**

### Tips for safe working:

Always reduce the speed when submerging the mixing tool in the mixing material or lifting it out. Once the mixing tool is fully submerged, increase the speed again to ensure that the motor is adequately cooled.

During mixing you should guide the machine around the mixing container. Continue mixing until all of the mixing material is completely mixed. Please follow the processing instructions of the manufacturer of the material.

You work better and safer when the mixing tool used is clean, free of material residues and in perfect condition.

The greater the viscosity of the material, the greater the impact of the torque forces on the machine, so you should be prepared for this when you carry out your work.

If the mixing tool comes into contact with a surface (e.g. the bottom of the tub) while running, it may kick back.

**Set the machine down resting on the guard handle after you have finished your mixing work.**

## Proper use

The machine is designed for mixing liquid, granular and powder-based building products such as paints, mortar, concrete, adhesives, plaster, mixes containing silica sand, thermosetting resin and similar substances. Use the right mixing tool for the consistency of the material and the quantity to be mixed.

Please refer to the information in the technical data when choosing the size of mixing tool (diameter/mixing action). If the wrong mixing action or mixing tool diameter is selected, this may cause the machine/gear unit to become overloaded and lead to damage as a result. Please remember that a mixing tool with a mixing action from the top down puts a greater strain on the electrical tool than one with the reverse mixing action.

Given the high torque levels generated by the machine, it must not be used as a power drill.

The machine must not be used for the preparation of foodstuffs.

The machine is not suitable for mixing materials containing graphite dust, brine or slurry. Mixing of these materials or substances may damage the machine beyond repair.

## Assembly

► Always pull the power plug out of the socket outlet before carrying out any work on the machine.

### Fitting the stirrer / tool change-over (Fig. A):

Insert the mixing tool with the HEXAFIX mount in the coupling until it locks. Make sure that the markings on the mixing attachments match those of the respective mixing shaft when you fit them (I + II). For trouble-free operation the markings must match up. In addition, the stirrers can only be fitted in certain positions. This is to ensure that they do not come into contact with each other.

## Care and maintenance

- ▶ **Before you carry out any operations on the machine, and especially when changing the mixing tool, always pull out the power plug out first.**

Clean the machine and the mixing tool immediately after use. We recommend that you use the Collomix MIXER CLEAN cleaning bucket for cleaning.



Keep the HEXAFIX coupling clean and freely moving at all times.

Take the mixing tool out of the coupling after you have finished your work.

Grease the hexagon mount of the **coupling at regular intervals with suitable grease.**

**Keep the ventilation slits clean and clear at all times so that the machine can be properly cooled.** Blocked ventilation slits will lead to irreparable damage to the machine.

**Make sure that the ON/OFF switch moves and releases smoothly** at all times.

The machine is equipped with self-deactivating carbon brushes. This means that the machine will shut itself down once a certain level of wear is reached. The carbon brushes can be replaced by the authorized customer service center or by the Collomix Service center.

Have repairs carried out only by an approved workshop or by your Collomix Service.

Only use original Collomix accessories and replacement parts.

For exploded drawings, lists of replacement parts and the form for repair orders, please refer to: <http://www.collomix.com>

## Disposal

The device, accessories and packaging should all be consigned for environment-friendly recycling.

Electrical tools which have come to the end of their service lives must be made unusable by removing the mains power cable.

### For EU countries only:

Do not dispose of electrical tools with household waste.

In accordance with EU Directive 2002/96/EC concerned with used electrical and electronic equipment and the incorporation of the requirements of the directive in national legislation, unusable electrical equipment must be collected separately and consigned for environment-friendly recycling.



## Content

- 1x Mixing machine with Hexafix couplings
- 1x pair of mixing paddles MKD
- 1x Manual
- 1x General safety notes

## Warranty

The manufacturer provides a warranty within the framework of his terms and conditions of delivery in accordance with the requirements of statutory/country-specific provisions. Should you need to make a claim under the warranty, please provide us with your invoice or delivery note.

On no account will any warranty claims be accepted if any repairs are carried out by third parties. In the event of any irregularities, please send the machine to us. **Complaints can only be accepted if the device is sent to the Collomix Service center undismantled.**

The warranty does not apply to damages caused by normal wear, overloading, improper handling, unsuitable accessories or inadequate maintenance.

Any structural or functional modifications to the machine which are made without our agreement shall render the warranty and the Declaration of Conformity null and void.

### Subject to change.


### Serviceaddress USA and Canada:

**Collomix North America Inc.**  
648 Crescent Court  
Milwaukee, WI 53213  
**Phone: 414 471 3883**  
**Fax: 414 918 8032**  
**E-Mail: [al.karraker@collomix.com](mailto:al.karraker@collomix.com)**  
**[www.collomix.us](http://www.collomix.us)**

**Manufacturer:**  
**Collomix GmbH**  
**Daimlerstrasse 9**  
**85080 Gaimersheim**  
**Germany**

## Caractéristiques techniques

### Xo 55 R duo

Puissance nominale/courant absorbé :	1450 W / 13.4 amps
Tension :	120 V
Fréquence :	60 Hz
Vitesse de rotation à vide 1ère vitesse	- 640 tr/min
Vitesse sous charge, 1ère vitesse	- 470 tr/min
Outil de mélange 50 - 90 litres	MKD 140 HF
Outil de mélange alternatif: 10 - 50 litres:	MKD 120 HF
Poids sans mélangeur :	6,9 kg / 15.5 lbs
Catégorie de protection :	 / II

### Éléments de la machine

- 1 Dispositif de déverrouillage pour interrupteur Marche/Arrêt
- 2 Interrupteur Marche/Arrêt
- 3 Cadre de poignée avec tampons en caoutchouc
- 4 Poignées
- 5 Perforations pour le logement de la machine
- 6 Fente d'aération
- 7 Arbre agitateur
- 8 Marquage arbre agitateur
- 9 Coupleur HEXAFIX
- 10 Turbine
- 11 Capuchons protecteurs

### Valeurs de bruit/vibrations:

Valeurs mesurées déterminées conformément à EN 60745. Le niveau de bruit pondéré A de l'appareil s'élevé de façon typique :

	Pression acoustique $L_{PA}$ [dB(A)]	Puissance acoustique $L_{WA}$ [dB(A)]
Xo 55 R duo	88 dB(a)	99 dB(A)
	Insécurité K = 3 dB	

Valeur totale de vibrations (lors du brassage de matières minérales)

	Niveau sonore $a_n$ [m/s <sup>2</sup> ]
Xo 55 R duo	1,3 m/s <sup>2</sup>
	Insécurité K = 1,5 m/s <sup>2</sup>

### AVERTISSEMENT:

Les valeurs de mesure indiquée sont celles des appareils neufs. Dans l'emploi quotidien, les valeurs de bruit et de vibrations se modifient.

### Remarque

Le niveau de vibrations indiqué dans ces instructions est mesuré conformément à la méthode de mesure normée EN 60745 et peut être utilisé pour la comparaison d'outils électriques entre eux. Il convient également à une estimation provisoire de la charge de vibrations. Le niveau de vibrations indiqué représente les applications principales de l'outil électrique. Si toutefois l'appareil électrique est utilisé pour d'autres applications, avec d'autres outils employés ou qu'il n'est pas suffisamment entretenu, le niveau de vibrations peut différer. Cela peut nettement augmenter la charge en vibrations pendant toute la durée du travail.

Pour pouvoir évaluer avec précision la charge en vibrations, il est préférable de prendre également en compte les temps pendant lesquels l'appareil sera hors circuit ou pendant lesquels il marchera sans être employé. Cela peut nettement réduire la charge en vibrations pendant toute la durée du travail.

### Déclaration de conformité CE

Nous déclarons sous notre propre responsabilité que ce produit est conforme aux normes et aux produits normatifs suivants: EN 55014, EN 61000, EN 60745-1:2009 + EN60745-2-1:2010 conformément aux règlements des directives 2004/108/CE, 2006/42 CE, 2011/65/CE

Gaimersheim, le 2018-12-04

Alexander Essing

Direction



**Demander la documentation technique auprès de :**

Collomix GmbH

Abt. Technische Entwicklung (Dpt Progrès technique)

Daimlerstr. 9, 85080 Gaimersheim, Allemagne

## Spécifique à l'appareil

### Consignes de sécurité

**⚠ AVERTISSEMENT:** Veuillez lire toutes les consignes de sécurité et instructions. Tout non-respect des consignes de sécurité et instructions peut provoquer une décharge électrique, un incendie et/ou des blessures graves.

Conservez toutes les consignes de sécurité et toutes les instructions pour l'avenir.

Il est uniquement possible de travailler sans danger avec l'appareil si l'on a auparavant lu complètement le mode d'emploi et les consignes de sécurité et si l'on respecte strictement leurs instructions. Seules les personnes familiarisées avec ce mode d'emploi et les consignes en vigueur relatives à la sécurité du travail et à la prévention des accidents sont autorisées à utiliser cette machine.

**⚠** Il faut respecter également les « Consignes de sécurité générales » ci-jointes.

- ▶ La tension du réseau doit coïncider avec les indications de la plaque signalétique.
- ▶ L'appareil ne doit pas être exploité dans un environnement à atmosphère explosible. Ne jamais mélanger des solvants légèrement inflammables ou des matériaux comprenant des solvants dont le point d'inflammation est inférieur à 21°C/69°F.
- ▶ Veillez à ce qu'aucun liquide n'éclabousse le carter du moteur et ne pas l'exposer à la pluie - risque d'électrocution !
- ▶ Ne nettoyez jamais l'appareil à l'eau - risque d'électrocution !
- ▶ N'enlacez jamais un câble autour du corps ou de parties du corps.
- ▶ N'utilisez pas l'appareil si le câble est abîmé. Ne touchez pas à l'appareil et retirez immédiatement la fiche secteur. Les câbles endommagés augmentent le risque de décharge électrique. S'il est nécessaire de remplacer (endommagement ou autre) la ligne de raccordement réseau, il faut alors le faire faire par le producteur ou par un représentant autorisé (spécialiste électricien(ne) afin d'éviter tout risque du point de vue de la sécurité.
- ▶ Maintenez l'appareil pendant de travail toujours des deux mains et gardez toujours une bonne posture.
- ▶ Maintenez l'appareil au niveau des poignées isolées lorsque vous réalisez des travaux pour lesquels l'outil employé est susceptible de toucher des câbles électriques cachés ou le propre câble de l'appareil. Le contact avec une conduite conductrice de tension peut également mettre sous tension des pièces en métal de l'appareil et entraîner une décharge électrique.
- ▶ Avant la mise en service, contrôlez le bon logement de la tige du mélangeur tout comme sa bonne

marque concentrique.

- ▶ Il faut laisser démarrer et s'arrêter l'appareil dans le récipient de mélange. Assurer un positionnement bien équilibré et sûr du récipient de mélange.
- ▶ Utilisez la machine et l'agitateur uniquement en parfait état. Ne pas utiliser d'agitateurs endommagés, pliés ou usés.
- ▶ Ne pas mettre les mains ou des objets dans le récipient de mélange alors que les mélanges sont en cours. Risque de pincements !
- ▶ Patientez jusqu'à ce que l'appareil ou encore l'outil s'arrête. Les outils en rotation peuvent s'accrocher et entraîner des blessures ou des dommages.
- ▶ Si le niveau de pression acoustique au poste de travail 85 dB (A) est dépassé, portez une protection acoustique !
- ▶ Il est conseillé de porter des gants et des lunettes de protection pendant le travail avec le mélangeur. Le port de vêtements collants est obligatoire.
- ▶ Pour la protection contre les poussières dangereuses, portez un masque pendant le mélange. Certains matériaux minéraux sont considérés comme cancérigènes. Utilisez une aspiration de poussière dans la mesure du possible.
- ▶ Raccordez toujours les appareils via un disjoncteur à courant de défaut (disjoncteur différentiel).



Avant la mise en service de la machine, lisez le mode d'emploi et respectez-le !



Pendant le travail, portez des lunettes de protection et une protection de l'ouïe.



Pendant le travail, portez des lunettes de protection et une protection de l'ouïe.



Portez des gants de protection pendant le travail.



Pendant le travail, portez des chaussures de protection avec bout en acier



## Utilisation conforme au règlement

La machine sert à mélanger des matériaux de construction liquides, granuleux et poudreux tels les peintures, les mortiers, le béton, les colles, les enduits, les mélanges contenant du sable quartzé, les résines réactives et autres substances du même genre. En fonction de la consistance du matériau et de la quantité à mélanger, il faut employer le mélangeur approprié à effet correspondant.

Lors de la sélection du type de mélangeur (diamètre/effet de mélange), respectez les caractéristiques techniques. Le choix d'un effet de mélange ou diamètre de turbine inadéquats peut entraîner une surcharge de la machine ou de la transmission et donc des dommages. Attention : un mélangeur dont l'effet de mélange agit de haut en bas sollicite plus fortement l'outil électrique que dans le sens inverse.

Cet appareil électrique n'est pas conçu pour être employé en fonctionnement continu.

En raison du couple de rotation élevé de la machine, il est interdit de l'employer comme perceuse.

L'utilisation de la machine pour le traitement d'aliments n'est pas admissible.

La machine ne convient pas au mélange de matériaux comprenant de la poussière de graphite, des saumures ou du purin. Le mélange de ces matériaux peut détruire la machine.

## Montage

► **Avant tout travail sur l'appareil, retirez la fiche secteur de la prise de courant.**

**Montage de l'arbre agitateur/Changement d'outil (fig.A) :**

Enfichez le mélangeur dans le logement HEXAFIX, dans le coupleur jusqu'à ce qu'il verrouille. Veillez lors du montage à ce que l'identification de chaque tige du malaxeur soit semblable à celle de l'arbre agitateur correspondant (I + II). Pour un fonctionnement sans faille, les désignations doivent être identiques. En outre, les turbines ne peuvent être montées que dans certaines positions, ceci afin d'éviter qu'elles ne se touchent mutuellement.

Pour détacher ou remplacer la turbine, retirer la manchette du coupleur, le turbine est libéré.

En permutant les outils de mélange, on peut inverser l'effet mélangeur. Cela peut être avantageux pour les matériaux liquides. Attention : l'entraînement en sera cependant beaucoup plus sollicité. Les capuchons protecteurs joints à la livraison empêchent que le coupleur HEXAFIX ne soit sali et permettent un fonctionnement sans faille.

## Service

► **Contrôlez si la tension indiquée sur la plaque signalétique coïncide avec la tension du réseau.**

**Tenez toujours la machine des deux mains.**



**Appuyez sur le bouton de verrouillage de démarrage (1).**

**Appuyez sur l'interrupteur Marche/Arrêt (2).**

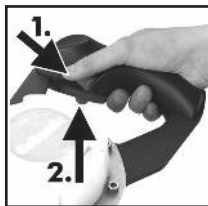
Plus on appuie sur l'interrupteur Marche/Arrêt est appuyé, plus la machine va vite.

**L'interrupteur Marche/Arrêt ne peut pas être bloqué !**

Travaillez toujours avec l'interrupteur Marche/arrêt complètement enfoncé.

**Pour clore le travail, relâchez l'interrupteur Marche/Arrêt.**

Actionner uniquement à l'arrêt.



**Conseils pour un travail en toute sécurité:**

En plongeant dans le mélange et/ou en retirant le mélangeur de celui-ci, vous réduisez la vitesse de rotation. Après avoir intégralement plongé le mélangeur dans le mélange, augmentez la vitesse jusqu'au maximum ce qui garantit un refroidissement suffisant du moteur.

Pendant le mélange, guidez la machine dans le récipient de mélange. Continuez à mélanger jusqu'à ce que le résultat soit complètement homogène. Respectez les instructions de traitement du producteur du matériau.

Ils fonctionnent mieux et sont plus sûrs lorsque l'agitateur utilisé est propre, exempt de résidus de matière et en parfait état.

Plus le mélange est visqueux, plus les couples de rotation qui agit sur la machine sont élevés. Soyez prêts à y faire face pendant le travail.

Si la turbine connu une surface pendant qu'il marche (pas exemple le fond du paquet), il est possible qu'il soit repoussé d'un coup en arrière.

**Une fois le mélange terminé, remettez la machine sur l'étrier de protection.**

## Entretien et maintenance

- ▶ **Avant tous travaux sur l'appareil, en particulier lors du remplacement du mélangeur, débranchez la prise secteur !**

Nettoyez immédiatement la machine et le mélangeur après l'utilisation. Pour le nettoyage du mélangeur, nous recommandons le seau de nettoyage MIXER-CLEAN de Collomix.



Fett  
Grease  
Graisie  
Smar

Maintenez le coupleur HEXAFIX propre et en bon état.

Une fois le travail achevé, sortir le mélangeur du coupleur.

Graissez régulièrement le logement hexagonal du **coupleur avec une graisse lubrifiante adéquate.**

**Gardez la fente d'aération propre et ouverte, afin de garantir un refroidissement suffisant.** Une fente d'aération bouchée détruirait la machine.

**Veillez à une bonne marche** de l'interrupteur Marche/Arrêt et de son dispositif de déverrouillage.

La machine est dotée de charbons qui se mettent automatiquement hors circuit. Une fois la longueur minimale atteinte, la machine se met hors circuit. Faites remplacer les charbons par un service après vente autorisé ou par le service à l'usine de Collomix.

Faites réaliser les réparations uniquement par un atelier reconnu ou par le service de Collomix.

Utilisez uniquement des accessoires et pièces de rechange d'origine de Collomix.

Vous trouverez des vues éclatées, des listes de pièces de rechange et le formulaire de demande de réparation ici: <http://www.collomix.com>

## Mise au rebut

L'appareil, les accessoires et l'emballage doivent être éliminés en les apportant dans un réseau de recyclage écologique.

Retirez le câble des outils électriques ayant faits leur temps pour les rendre inutilisables.



**Uniquement pour les pays de l'Union Européenne:**

N'éliminez pas les outils électriques dans les ordures ménagères.

Conformément à la directive EU 2002/96/CE relative aux appareils électriques et électroniques anciens et à son application dans le droit national, les appareils électriques ne pouvant plus être utilisés doivent être récoltés séparément et recyclés dans le respect de l'environnement.

## Garantie

Dans le cadre des conditions de livraison, le producteur octroie une garantie conformément aux règlements légaux spécifiques au pays. En cas de demande d'application de la garantie, accompagnez-la de la facture ou du bon de livraison.

Les réparations réalisées par des tierces personnes nous dégagent de toute obligation de garantie. En cas d'irrégularités, nous vous prions de nous envoyer la machine. **Les réclamations peuvent uniquement être acceptées lorsque l'appareil est envoyé au service Collomix sans être démonté.**

Les dommages en raison d'une usure normale, de surcharge ou d'accessoires non conformes aux règles de l'art, tout comme en raison d'une maintenance insuffisante restent exclus de la garantie.

Toute modification de la fonction ou de la construction de la machine n'ayant pas été auparavant convenue avec nous entraîne la suppression de la garantie et celle de la déclaration de conformité.

**Sous réserve de modifications**

## Contenu de la livraison

1x Malaxeur duo  
1x Jeu d'outils de malaxage  
1x Mode d'emploi  
1x Consignes de sécurité

## Adress de service Etat-Unis et Canada:

**Collomix North America Inc.**  
648 Crescent Court  
Milwaukee, WI 53213  
Phone: 414 471 3883  
Fax: 414 918 8032  
E-Mail: [al.karraker@collomix.com](mailto:al.karraker@collomix.com)  
[www.collomix.us](http://www.collomix.us)

**Producteur :**  
**Collomix GmbH**  
Daimlerstraße 9  
D-85080 Gaimersheim  
Allemagne



**Collomix GmbH**  
Daimlerstraße 9  
85080 Gaimersheim, Germany  
info@collomix.de  
www.collomixna.com

